

# Continental

## SCIENTIFIC

### Glass Door General Purpose Laboratory/Pharmacy Refrigerators

Utilizing Environmentally Safe, CFC-free, R-134a Refrigerant



**S1R-GD**



**S2R-GD**



**S3R-GD**

#### Standard Features

- Modern, State-of-the Art Styling
- Performance Rated Refrigeration System Utilizing Environmentally Safe R-134a Refrigerant
- 3" Non-CFC Polyurethane Foam Insulation
- Chrome-Plated Flow Line Handles
- Cam-Action Lift-Off Hinges
- Self-Closing Doors
- Fluorescent Interior Lighting
- Magnetic Snap-In Door Gaskets
- Cylinder Lock In Each Door
- Automatic Electric Condensate Evaporator
- 5" Casters
- Heavy-Duty, Epoxy-Coated Steel Shelves
- External Digital Thermometer
- Adjustable Temperature Control, Range +2°C to +8°C, Factory Present at +4°C

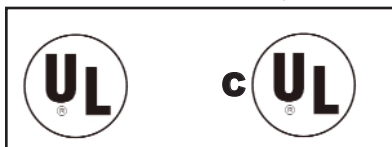
Standard (S/S Front, Aluminum End Panels & Interior)  
 Suffix SA (S/S Exterior, Aluminum Interior)  
 Suffix SS (S/S Exterior & Interior)

#### Optional Features & Accessories

- Legs
- Pass-Thru Doors
- Additional Shelves
- Rehinging of Doors
- Half Height Doors
- Stainless Steel Drawers
- 2" Access Port(s)
- 220/50/1 Voltage
- 220/60/1 Voltage
- Chromatography Pole Assembly
- Remote
- 7 Day Temperature Chart Recorder
- Audible/Visual Temperature Alarm
- Vapor Proof Duplex Outlet
- Export Crating

Project Name: \_\_\_\_\_

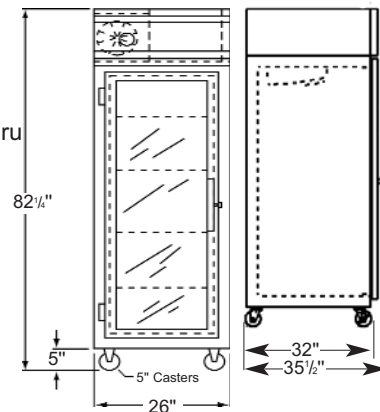
Item Number: \_\_\_\_\_



# Glass Door General Purpose Laboratory/Pharmacy Refrigerators

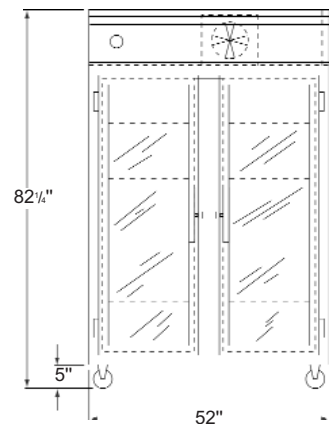
## SPECIFICATIONS

CHARACTERISTICS DIMENSIONAL DATA	<u>Model</u> S1R-GD One Section		<u>Model</u> S2R-GD Two Section		<u>Model</u> S3R-GD Three Section	
	Reach-In	Pass-Thru	Reach-In	Pass-Thru	Reach-In	Pass-Thru
	Net Capacity (cu. ft.)	20	20	48	48	70
Width, Overall (in.)	26	26	52	52	78	78
Depth, Overall (Incl. Hdls.) (in.)	35½	39	35½	39	35½	39
Depth (Less Door(s)) (in.)	32	32	32	32	32	32
Depth (Door(s) Open 90°) (in.)	55½	79	55½	79	55½	79
Clear Door Width (in.)	19⅜	19⅜	19⅜	19⅜	19⅜	19⅜
Clear Full-Door Height (in.)	58⅝	58⅝	58⅝	58⅝	58⅝	58⅝
Clear Half-Door Height (in.)	27½	27½	27½	27½	27½	27½
Height, Overall (inc. 5" Casters) (in.)	82¼	82¼	82¼	82¼	85¾	85¾
No. of Full Door(s)	1	2	2	4	3	6
No. of Half Door(s)	2	4	4	8	6	12
No. of Shelves	4	4	8	8	12	12
Shelf Area (sq. ft.)	20.4	20.4	40.8	40.8	61.2	61.2

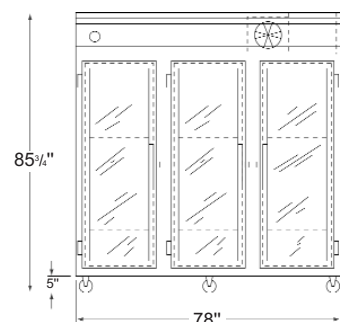


REFRIGERATION DATA	S1R-GD		S2R-GD		S3R-GD	
Condensing Unit Size (H.P.)	1/3	1/3	1/2	1/2	3/4	3/4
Capacity (BTU/Hr)*	2560	2560	4010	4010	5930	5930

ELECTRICAL DATA	S1R-GD		S2R-GD		S3R-GD	
Cabinet Specifications	115/60/1	115/60/1	115/60/1	115/60/1	115/208-230/60/1	115/208-258/60/1
Feed Wires (Incl. Ground)	3	3	3	3	4	4
Condensing Unit Specs.	115/60/1	115/60/1	115/60/1	115/60/1	208-230/60/1	208-230/60/1
Total Amperes	10.7	11.0	13.6	16.0	12.4	15.9
Cabinet Amperes	3.5	3.8	4.1	6.5	5.4	8.9
Defrost Amperes	-	-	-	-	-	-
Power Supply Cord	yes	yes	yes	yes	no	no



SHIPPING DATA	S1R-GD		S2R-GD		S3R-GD	
Height - crated (in.)	82	82	82	82	85½	85½
Width - crated (in.)	31⅝	31⅝	64	64	90	90
Depth - crated (in.)	42	42	42	42	42	42
Volume - crated (cu.ft.)	63	63	129	129	187	187
Weight Std - crated (lbs.)	315	360	530	610	740	855
Weight SS - crated (lbs.)	375	420	610	680	855	970
Weight Std - uncrated (lbs.)	215	250	360	430	530	635
Weight SS - uncrated (lbs.)	275	310	440	510	645	750



\* Rating @ +25°F Evaporator, 90° Ambient

Note: All specifications subject to change without notice.

Note: If the cabinet is located directly against wall and/or under low ceiling, a minimum clearance of 2" is required.

# Continental

**SCIENTIFIC**

A Division of National Refrigeration & A/C Products  
539 Dunksferry Road • Bensalem, PA 19020  
(215) 244-1400 • (800) 523-7138 • Fax: (215) 244-9579  
www.continentalscientific.com