

Continental

SCIENTIFIC

Low Temp Glass Door General Purpose Laboratory/Pharmacy Freezers

Utilizing Environmentally Safe, CFC-free, R-404A Refrigerant



S1F-LT-GD



S2F-LT-GD



S3F-LT-GD

Standard Features

- Modern, State-of-the Art Styling
- Thermal Expansion Valve Governs Refrigerant Flow For Quick Recovery
- 3" Non-CFC Polyurethane Foam Insulation
- Chrome-Plated Flow Line Handles
- Cam-Action Lift-Off Hinges
- Self-Closing Doors
- Fluorescent Interior Lighting
- Magnetic Snap-In Door Gaskets
- Cylinder Lock In Each Door
- Automatic Electric Condensate Evaporator
- 5" Casters
- Heavy-Duty, Epoxy-Coated Steel Shelves
- External Digital Thermometer
- Automatic Electric Defrost
- Triple-Pane, Tempered Hinged Glass Doors
- Adjustable Temperature Control, Range -24°C to -18°C, Factory Present at -23°C

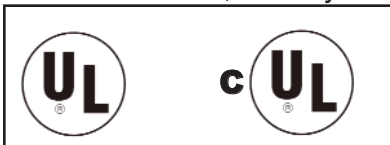
Standard (S/S Front, Aluminum End Panels & Interior)
 Suffix SA (S/S Exterior, Aluminum Interior)
 Suffix SS (S/S Exterior & Interior)

Optional Features & Accessories

- Legs
- Additional Shelves
- Rehinging of Doors
- Half Height Doors
- 220/50/1 Voltage
- 220/60/1 Voltage
- Export Crating
- Remote
- 7 Day Temperature Chart Recorder
- Audible/Visual Temperature Alarm

Project Name: _____

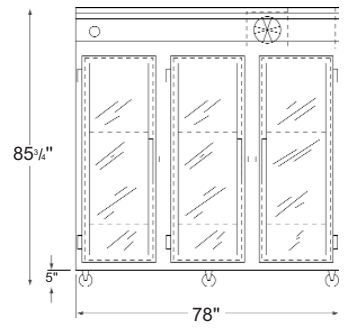
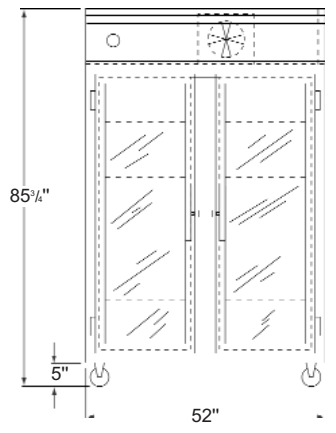
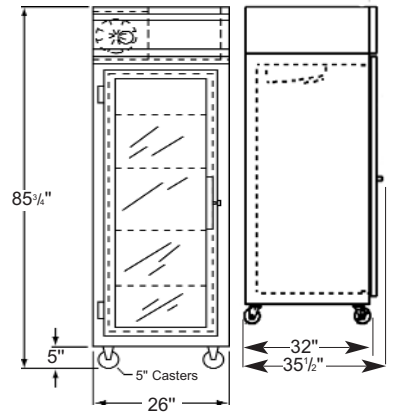
Item Number: _____



Glass Door General Purpose Laboratory/Pharmacy Low Temp Freezers

SPECIFICATIONS

	<u>Model</u> S1F-LT-GD One Section	<u>Model</u> S2F-LT-GD Two Section	<u>Model</u> S3F-LT-GD Three Section
	Reach-In	Reach-In	Reach-In
CHARACTERISTICS			
DIMENSIONAL DATA			
Net Capacity (cu. ft.)	20	48	70
Width, Overall (in.)	26	52	78
Depth, Overall (Incl. Hdls.) (in.)	35½	35½	35½
Depth (Less Door(s)) (in.)	32	32	32
Depth (Door(s) Open 90°) (in.)	55½	55½	55½
Clear Door Width (in.)	19¾	19¾	19¾
Clear Full-Door Height (in.)	58⅝	58⅝	58⅝
Clear Half-Door Height (in.)	27½	27½	27½
Height, Overall (inc. 5" Casters) (in.)	85¾	85¾	85¾
No. of Full Door(s)	1	2	3
No. of Half Door(s)	2	4	6
No. of Shelves	4	8	9
Shelf Area (sq. ft.)	20.4	40.8	61.2
Tray Slide Capacity (Half)	11 ea.	11 ea.	11 ea.
Tray Slide Capacity (Full)	24 ea.	24 ea.	24 ea.
REFRIGERATION DATA			
Condensing Unit Size (H.P.)	1	1½	2
Capacity (BTU/Hr)*	2600	3600	6300
ELECTRICAL DATA			
Cabinet Specifications	115/208-230/60/1	115/208-230/60/1	115/208-230/60/1
Feed Wires (Incl. Ground)	4	4	4
Condensing Unit Specs.	208-230/60/1	208-230/60/1	208-230/60/1
Total Amperes	13.9	21.6	22.6
Cabinet Amperes	3.5	5.2	6.1
Defrost Amperes	5.2	9.6	10.4
Power Supply Cord	no	no	no
SHIPPING DATA			
Height - crated (in.)	85½	85½	85½
Width - crated (in.)	31⅝	64	90
Depth - crated (in.)	42	42	42
Volume - crated (cu.ft.)	65	133	187
Weight Std - crated (lbs.)	330	565	805
Weight SS - crated (lbs.)	390	645	920
Weight Std - uncrated (lbs.)	230	395	595
Weight SS - uncrated (lbs.)	290	475	710



* Rating @ -30°F Evaporator, 90° Ambient

Note: All specifications subject to change without notice.

Note: If the cabinet is located directly against wall and/or under low ceiling, a minimum clearance of 2" is required.



A Division of National Refrigeration & A/C Products
539 Dunksferry Road • Bensalem, PA 19020
(215) 244-1400 • (800) 523-7138 • Fax: (215) 244-9579
www.continentalscientific.com