

# Continental

## SCIENTIFIC

### Solid Door General Purpose Laboratory/Pharmacy Freezers w/ Manual Defrost

Utilizing Environmentally Safe, CFC-free, R-404A Refrigerant



**S1F-HD-CW**



**S2F-HD-CW**



**S1FX-HD-CW**

#### Standard Features

- Modern, State-of-the Art Styling
- Performance Rated Cold Wall Refrigeration System Utilizing Environmentally Safe R-404A Refrigerant
- 3" Non-CFC Polyurethane Foam Insulation
- Chrome-Plated Flow Line Handles
- Cam-Action Lift-Off Hinges
- Self-Closing Doors
- Automatic Interior Lighting
- Magnetic Snap-In Door Gaskets
- Cylinder Lock In Each Door
- 5" Casters
- Heavy-Duty, Epoxy-Coated Steel Shelves
- External Digital Thermometer
- Manual Defrost
- Adjustable Temperature Control, Range -22°C to -12°C, Factory Present at -20°C

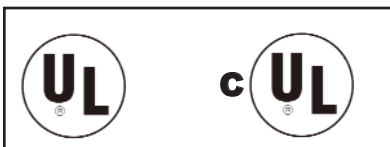
Standard (S/S Front, Aluminum End Panels & Interior)  
Suffix SA (S/S Exterior, Aluminum Interior)  
Suffix SS (S/S Exterior & Interior)

#### Optional Features & Accessories

- Legs
- Remote
- Additional Shelves
- Rehinging of Doors
- 220/50/1 Voltage
- 220/60/1 Voltage
- 7 Day Temperature Chart Recorder
- Audible/Visual Temperature Alarm
- Export Crating

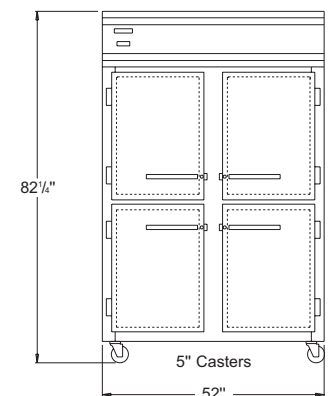
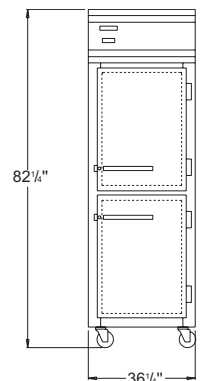
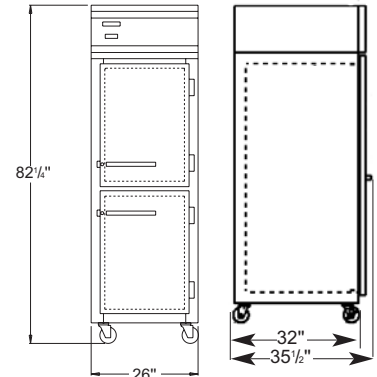
Project Name: \_\_\_\_\_

Item Number: \_\_\_\_\_



# Solid Door General Purpose Laboratory/Pharmacy Freezers w/ Manual Defrost SPECIFICATIONS

	<u>Model</u> S1F-HD-CW One Section Reach-In	<u>Model</u> S1FX-HD-CW One Section Reach-In	<u>Model</u> S2F-HD-CW Two Section Reach-In
<b>CHARACTERISTICS</b>			
<b>DIMENSIONAL DATA</b>			
Net Capacity (cu. ft.)	20	30	48
Width, Overall (in.)	26	36 <sup>1</sup> / <sub>4</sub>	52
Depth, Overall (Incl. Hdls.) (in.)	35 <sup>1</sup> / <sub>2</sub>	35 <sup>1</sup> / <sub>2</sub>	35 <sup>1</sup> / <sub>2</sub>
Depth (Less Door(s)) (in.)	32	32	32
Depth (Door(s) Open 90°) (in.)	55 <sup>1</sup> / <sub>2</sub>	66	55 <sup>1</sup> / <sub>2</sub>
Clear Door Width (in.)	19 <sup>3</sup> / <sub>8</sub>	29 <sup>5</sup> / <sub>8</sub>	19 <sup>3</sup> / <sub>8</sub>
Clear Full-Door Height (in.)	58 <sup>5</sup> / <sub>8</sub>	58 <sup>5</sup> / <sub>8</sub>	58 <sup>5</sup> / <sub>8</sub>
Clear Half-Door Height (in.)	27 <sup>1</sup> / <sub>2</sub>	27 <sup>1</sup> / <sub>2</sub>	27 <sup>1</sup> / <sub>2</sub>
Height, Overall (inc. 5" Casters) (in.)	82 <sup>1</sup> / <sub>4</sub>	82 <sup>1</sup> / <sub>4</sub>	82 <sup>1</sup> / <sub>4</sub>
No. of Half Door(s)	2	2	4
No. of Shelves	3	3	6
Shelf Area (sq. ft.)	20.4	24.4	40.8
<b>REFRIGERATION DATA</b>			
Condensing Unit Size (H.P.)	<sup>1</sup> / <sub>3</sub>	<sup>1</sup> / <sub>2</sub>	<sup>1</sup> / <sub>2</sub>
Capacity (BTU/Hr)*	1940	1840	2560
<b>ELECTRICAL DATA</b>			
Cabinet Specifications	115/60/1	115/60/1	115/60/1
Feed Wires (Incl. Ground)	3	3	3
Condensing Unit Specs.	115/60/1	115/60/1	115/60/1
Total Amperes	6.3	8.5	8.5
Cabinet Amperes	0.4	0.4	0.4
Power Supply Cord	yes	yes	yes
<b>SHIPPING DATA</b>			
Height - crated (in.)	82	82	82
Width - crated (in.)	31 <sup>5</sup> / <sub>8</sub>	42	64
Depth - crated (in.)	42	42	42
Volume - crated (cu.ft.)	65	87	133
Weight Std - crated (lbs.)	325	445	555
Weight SS - crated (lbs.)	385	505	635
Weight Std - uncrated (lbs.)	225	345	385
Weight SS - uncrated (lbs.)	285	405	465



\* Rating @ -15°F Evaporator, 90° Ambient

Note: All specifications subject to change without notice.

Note: If the cabinet is located directly against wall and/or under low ceiling, a minimum clearance of 2" is required.

## Continental SCIENTIFIC

A Division of National Refrigeration & A/C Products  
539 Dunksferry Road • Bensalem, PA 19020  
(215) 244-1400 • (800) 523-7138 • Fax: (215) 244-9579  
www.continentalscientific.com