

Continental SCIENTIFIC

Glass Door General Purpose Laboratory/Pharmacy Freezers

Utilizing Environmentally Safe, CFC-free, R-404A Refrigerant



S1F-GD



S2F-GD



S3F-GD

Standard Features

- Modern, State-of-the Art Styling
- Performance Rated "Plug" Refrigeration System Utilizing Environmentally Safe R-404A Refrigerant
- 3" Non-CFC Polyurethane Foam Insulation
- Chrome-Plated Flow Line Handles
- Cam-Action Lift-Off Hinges
- Self-Closing Doors
- Fluorescent Interior Lighting
- Magnetic Snap-In Door Gaskets
- Cylinder Lock In Each Door
- Automatic Electric Condensate Evaporator
- 5" Casters
- Heavy-Duty, Epoxy-Coated Steel Shelves
- External Digital Thermometer
- Automatic Electric Defrost
- Adjustable Temperature Control, Range -22°C to -12°C, Factory Present at -20°C

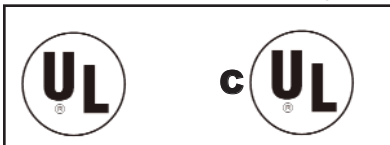
Standard (S/S Front, Aluminum End Panels & Interior)
Suffix SA (S/S Exterior, Aluminum Interior)
Suffix SS (S/S Exterior & Interior)

Optional Features & Accessories

- Legs
- Pass-Thru Doors
- Additional Shelves
- Rehinging of Doors
- Half Height Doors
- Stainless Steel Drawers
- 220/50/1 Voltage
- 220/60/1 Voltage
- Export Crating
- Minus 30°C
- Remote
- 7 Day Temperature Chart Recorder
- Audible/Visual Temperature Alarm
- Vapor Proof Duplex Outlet

Project Name: _____

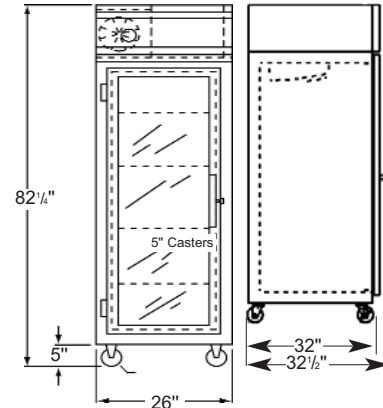
Item Number: _____



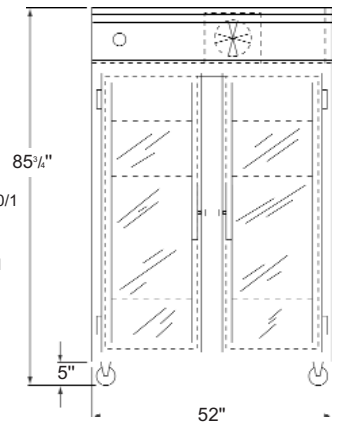
Glass Door General Purpose Laboratory/Pharmacy Freezers

SPECIFICATIONS

CHARACTERISTICS DIMENSIONAL DATA	<u>Model</u> S1F-GD		<u>Model</u> S2F-GD		<u>Model</u> S3F-GD	
	One Section		Two Section		Three Section	
	Reach-In	Pass-Thru	Reach-In	Pass-Thru	Reach-In	Pass-Thru
Net Capacity (cu. ft.)	20	20	48	48	70	70
Width, Overall (in.)	26	26	52	52	78	78
Depth, Overall (Incl. Hdls.) (in.)	35½	39	35½	39	35½	39
Depth (Less Door(s)) (in.)	32	32	32	32	32	32
Depth (Door(s) Open 90°) (in.)	55½	79	55½	79	55½	79
Clear Door Width (in.)	19¾	19¾	19¾	19¾	19¾	19¾
Clear Full-Door Height (in.)	58⅝	58⅝	58⅝	58⅝	58⅝	58⅝
Clear Half-Door Height (in.)	27½	27½	27½	27½	27½	27½
Height, Overall (inc. 5" Casters) (in.)	82¼	82¼	85¾	85¾	85¾	85¾
No. of Full Door(s)	1	2	2	4	3	6
No. of Half Door(s)	2	4	4	8	6	12
No. of Shelves	4	4	8	8	12	12
Shelf Area (sq. ft.)	20.4	20.4	40.8	40.8	61.2	61.2

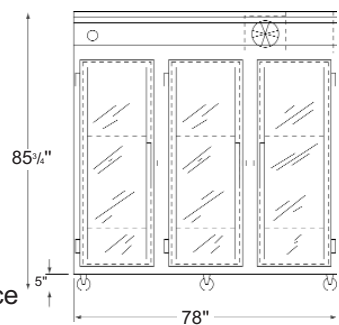


REFRIGERATION DATA	S1F-GD		S2F-GD		S3F-GD	
Condensing Unit Size (H.P.)	½	½	1	1	2	2
Capacity (BTU/Hr)*	2470	2470	4325	4325	6050	6050



ELECTRICAL DATA	S1F-GD		S2F-GD		S3F-GD	
Cabinet Specifications	115/60/1	115/60/1	115/208-230/60/1	115/208-230/60/1	115/208-230/60/1	115/208-230/60/1
Feed Wires (Incl. Ground)	3	3	4	4	4	4
Condensing Unit Specs.	115/60/1	115/60/1	208-230/60/1	208-230/60/1	208-230/60/1	208-230/60/1
Total Amperes	11.4	11.7	13.0	13.7	15.8	16.8
Cabinet Amperes	3.5	3.8	4.8	5.5	6.1	7.1
Defrost Amperes	5.2	5.2	9.6	9.6	10.4	10.4
Power Supply Cord	yes	yes	no	no	no	no

SHIPPING DATA	S1F-GD		S2F-GD		S3F-GD	
Height - crated (in.)	82	82	85½	85½	85½	85½
Width - crated (in.)	31⅝	31⅝	64	64	90	90
Depth - crated (in.)	42	42	42	42	42	42
Volume - crated (cu.ft.)	63	63	129	129	181	181
Weight Std - crated (lbs.)	330	395	565	705	805	930
Weight SS - crated (lbs.)	390	455	645	785	920	1045
Weight Std - uncrated (lbs.)	230	265	395	515	595	705
Weight SS - uncrated (lbs.)	290	325	475	595	710	820



* Rating @ -15°F Evaporator, 90° Ambient
 Note: All specifications subject to change without notice.
 Note: If the cabinet is located directly against wall and/or under low ceiling, a minimum clearance of 2" is required.



A Division of National Refrigeration & A/C Products
 539 Dunksferry Road • Bensalem, PA 19020
 (215) 244-1400 • (800) 523-7138 • Fax: (215) 244-9579
 www.continentalscientific.com